

TO : Okutani Ltd.

※Please print out this form and use it.

Date :

Expanded metal order sheet

Order sheet Request for quote

Company's name :

Department :

Name :

Address :

TEL

-

-

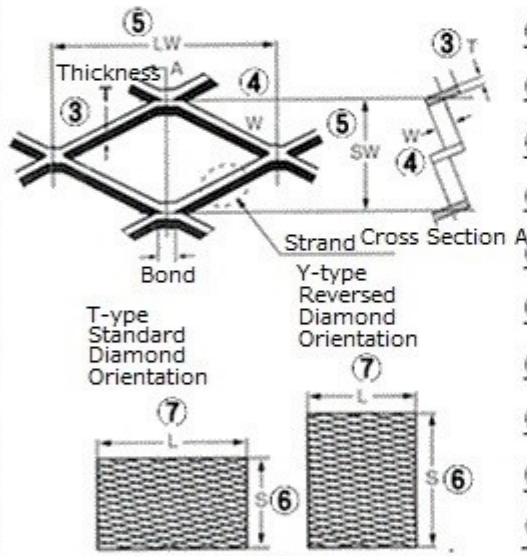
FAX

-

-

E-mail

※Please fill in the boxes, or send a drawing or sample.



① CF RTP Ex-Mesh 「CF TON」

② Item # JIS Standard

Material Please select thickness you want.

③ Thickness : 0.35mm, 0.5mm, 1.0mm, 1.5mm

④ Strand Width (mm)

⑤ Diamond Size (SW) (mm) (LW) (mm)

⑥ Width (mm)

⑦ Length (mm)

⑧ Diamond Orientation Standard or Reversed

⑨ Quantity

⑩ Desired Delivery Time

⑪ Others

Special Instruction/Notes

(Fabricating requirements, etc., if any)

Kobe Head office FAX : +81 78-361-1484